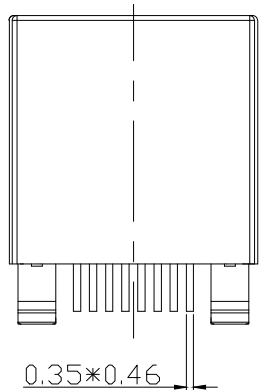
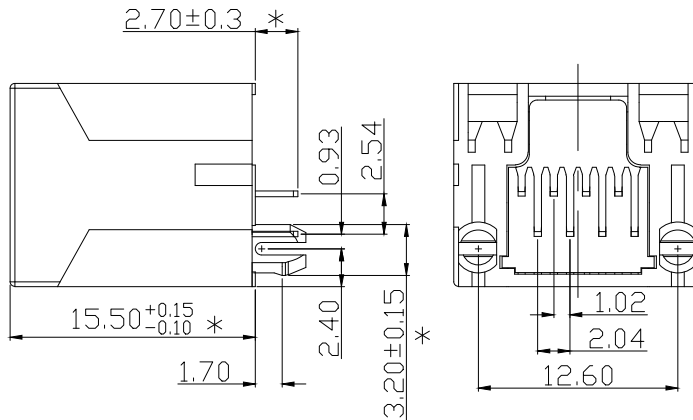
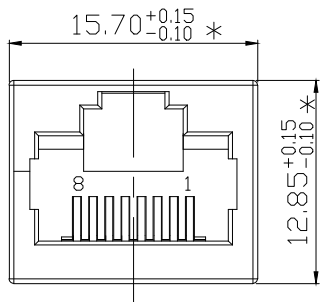
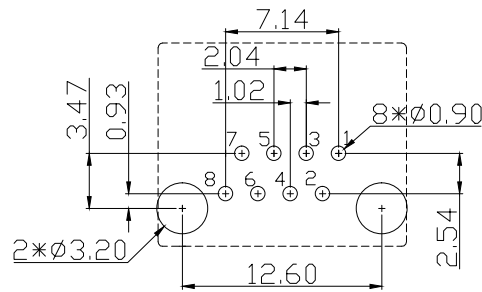


3D VIEW




0.35*0.46



RECOMMENDED PCB LAYOUT
TOP VIEW(TOL:±0.05)

NOTES:

- 1.MATERIAL:
 - 1.1.INSERT MATERIAL: PBT, COLOUR IS BLACK;
 - 1.2.CONTACT: PHOSPHOR BRONZE C5191 T=0.35mm;
- 2.FINISH: Au G/Fu" AT CONTACT AREA;TIN AT SOLDER AREA; NI OVER ALL;
- 3.RECINNEBDED PCB THICKNESS: 1.60mm;
- 4.ELECTRICAL:
 - 4.1.VOLTAGE RATING: 125 VAC RMS;
 - 4.2.CURRENT RATING: 1.5 AMP;
 - 4.3.CONTACT RESISTANCE: 30MILLIOHMS MAX.;
 - 4.4.WITHSTAND VOLTAGE: 1000 VAC RMS 50(60)Hz,1MIN.;
 - 4.5.INSULATION RESISTANCE: 1000MEGOHMS MIN @500V DC.
- 5.MECHANICAL:
 - 5.1.MATING/UNMATING FORCE: 22N MAX.;
 - 5.2.RETENTIION STRENGTH: 50N MIN.;
 - 5.3.OPERATING LIFE: 750 CYCLES MIN.;
- 6.SALT SPRAY TEST: 12H;
- 7.SOLDERABILITY: 245±5°C,5±0.5S;
- 8.RESISTANCE TO SOLDER: 260±5°C,10±1S;
- 9.ENVIRONMENTAL:
 - 9.1.STORAGE TEMPERATURE RANGE: -40°C~+85°C;
 - 9.2.OPERATION TEMPERATURE RANGE: -25°C~+70°C;
- 10.MATES WITH:MODULAR PLUGS THAT CONFORM TO FCC REGULATION PART 68.500;
- 11.THE MARK WITH "*" IS THE KEY INSPECTION DIMENSION FOR QC.

		new		2015/5/3	A	
ECN BO.		DESCRIPTION.		DATE.	REV.	
DESIGNED	CHECKED	APPROVAL	DRAWING NUMBER	SCALT: 1/2		SCALE: 3:1
Mikey	Tom	Jerry	PART NAME	11188WW01001	UNLESS OTHERWISE SPECIFIED,TOLERANCE:	X. ±0.25
			MODEL NAME	11188WW01001		X.x ±0.20
			3RD ANGLE PROJ	HANYONES TECH CO.,LTD		X.xx ±0.15
					FILE NO.	ANGULAR ±3'