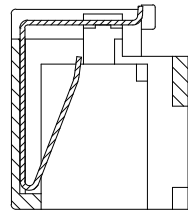
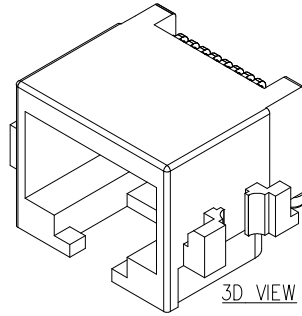


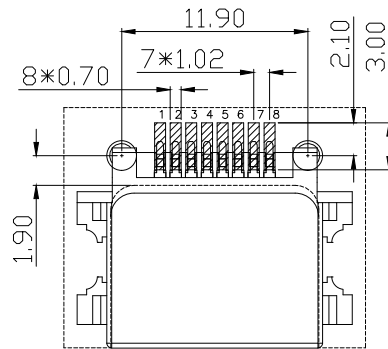
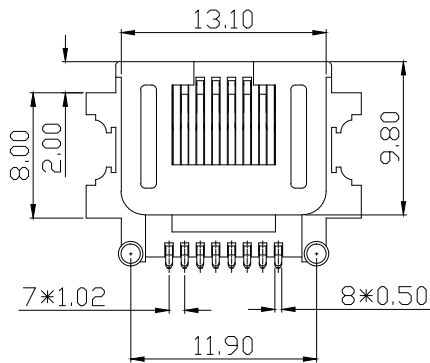
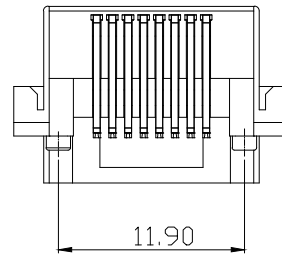
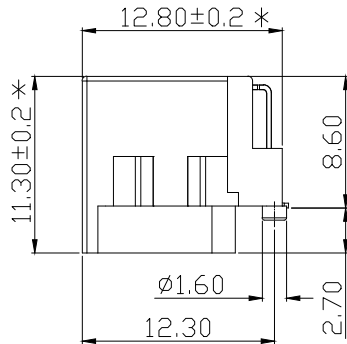
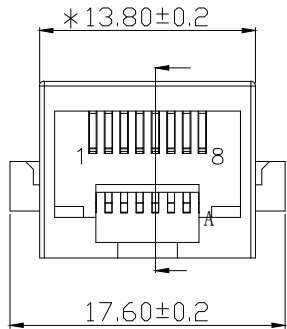
A



SECTION A-A




3D VIEW



 PAD AREA (TOP VIEW)

NOTES:

1. MATERIAL:
 - 1.1. HOUSING: LCP ,COLOR IS GRAY;
 - 1.2. CONTACT: PHOSPHOR COPPER (C5191 T=0.30mm);
2. FINISH: GOLD PLATED G/Fu";
4. ELECTRICAL:
 - 4.1. VOLTAGE RATING: 125 VAC RMS;
 - 4.2. CURRENT RATING: 1.5 AMP;
 - 4.3. CONTACT RESISTANCE: 35MILLIOHMS MAX.;
 - 4.4. WITHSTAND VOLTAGE: 500 VAC RMS 50(60)Hz,1MIN.;
 - 4.5. INSULATION RESISTANCE: 500MEGOHMS MIN @500V DC
5. MECHANICAL:
 - 5.1. MATING/UNMATING FORCE: 22N MAX.;
 - 5.2. RETENTIION STRENGTH: 50N MIN.;
 - 5.3. OPERATING LIFE: 750 CYCLES MIN.;
6. ENVIRONMENTAL:
 - 6.1. STORAGE TEMPERATURE RANGE: -40°C~+85°C;
 - 6.2. OPERATION TEMPERATURE RANGE: -25°C~+70°C;

		new		2015/5/3	A		
ECN BO.		DESCRIPTION.		DATE.	REV.		
DESIGNED	CHECKED	APPROVAL	DRAWING NUMBER	SCALT: 1/2		SCALE: 3:1	
Mikey	Tom	Jerry	PART NAME	11188WW01001	UNLESS OTHERWISE SPECIFIED,TOLERANCE:	X.	±0.25
			MODEL NAME	11188WW01001		X.x	±0.20
			3RD ANGLE PROJ	HANYONES TECH CO.,LTD		X.xx	±0.15
						ANGULAR	±3'
						FILE. NO.	