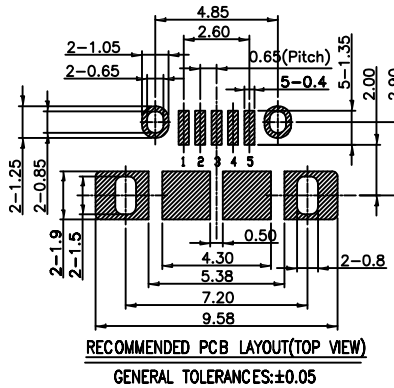
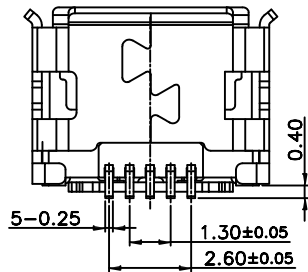
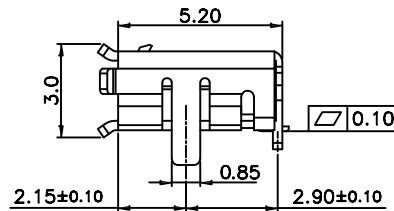
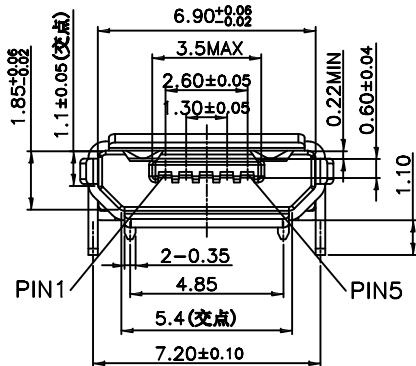



Flat (F)



Material  
Housing Material: LCP, UL94V-0, black  
Contact Terminal: Copper Alloy  
Metallic Shell: Sus  
Electrical  
Voltage Rating: 30 V AC  
Current Rating: Signal (Pins 2,3,4): 1.0A, Power (Pins 1,5): 1.8A  
Contact Resistance: 30mΩ Max  
Insulation resistance: 1000MΩ Min  
Dielectric withstanding voltage: 250V AC/Minute  
Mechanical  
Durability: 10,000 cycles  
Mating Force: 35N (3.57Kgf) Max  
Unmating Force: 8N (0.82Kgf) Min.

NO 번호	DATE 변경일자	DESCRIPTION OF REVISION 변경 내용	DESIGNED 작성	CHECKED 검토	APPROVED 승인	MATERIAL 재질		SPECIFICATION 규격		FINISH 표면처리	QUANTITY 수량	SCALE 척도 UNIT 단위	
						DESIGNED 작성	CHECKED 검토	APPROVAL 승인	DRAWING NUMBER 도번				
						김도현	박재규	최국환	PART NAME 부품명	HY-4BH23-X	 <b>한유안</b> ELECTRONICS CO.,LTD		
								MODEL NAME 제품명	HY-4BH23-X				
DESIGNED 작성						상현전자 주식회사		3RD ANGLE PROJ	HANYONES TECH CO.,LTD		FILE NO.		