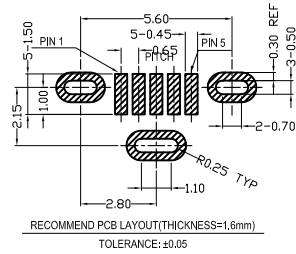
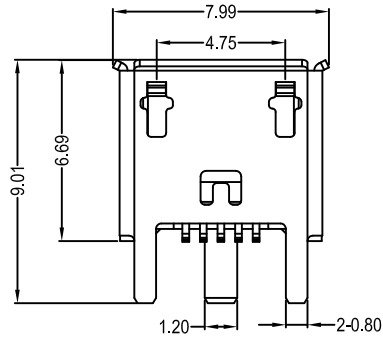
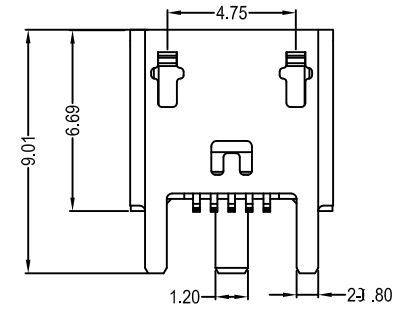
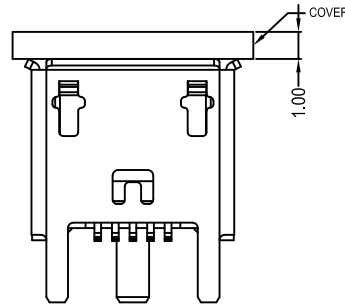
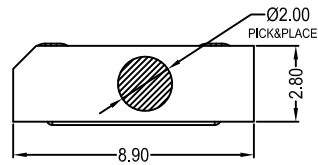
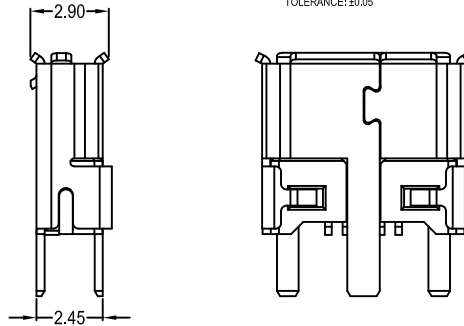


S:Scrolls



RECOMMEND PCB LAYOUT(THICKNESS=1.6mm)
TOLERANCE: ±0.05




F:Flat

Notes:

Specifications:

1. Current rating: 1 A Max.
2. Dielectric withstanding:voltage: 100V(AC) for 1 min.
3. Contact resistance: 50m Ω Max.
4. Insulation resistance: 100M Ω Min.
5. Total mating force: 3.57 Kg Max.
6. Total unmating force: 1.0 Kg Min.0.81~2.05 Kg Min.after 10000 insertion/extraction cycles
7. Temperature range: -30°C~+80°C

Housing Material: LCP UL94V-0, black
Contact Terminal: PHOSPHOR BRONZE
Metallic Shell: SUS

NO 번호	DATE 변경일자	DESCRIPTION OF REVISION 변경내용	DESIGNED 작성	CHECKED 검토	APPROVED 승인	MATERIAL 재질		SPECIFICATION 규격		FINISH 표면처리	QUANTITY 수량	SCALE 척도 UNIT 단위	
						DESIGNED 작성	CHECKED 검토	APPROVAL 승인	DRAWING NUMBER 도번				
			김도현	박재규	최국훈	PART NAME 부품명	HY-4BH74-X		 한유안 ELECTRONICS CO.,LTD				
						MODEL NAME 제품명	HY-4BH74-X						
DESIGNED 작성						상현전자 주식회사		3RD ANGLE PROJ	HANYONES TECH CO.,LTD		FILE NO.		