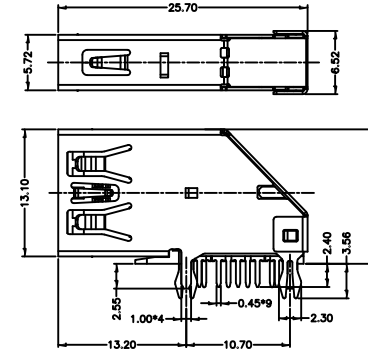
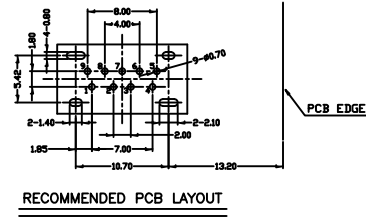
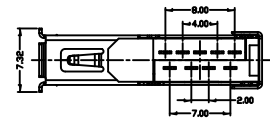
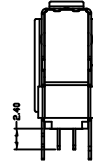
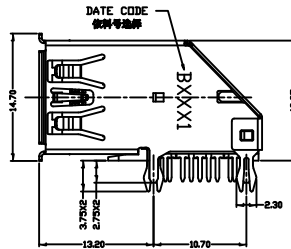
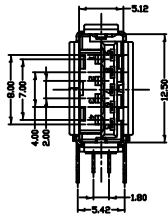


Scrolls (S)



Flat (F)



Material
 Housing Material: LCP, UL94V-0, blue
 Contact Terminal: Brass
 Metallic Shell: Sus
 Plating
 Underplating: Nickel
 Contact Plating: 1 μ m Gold
 Solder Tail: 100 μ m Min. Tin
 Metallic Shell: Nickel
 Electrical
 Voltage Rating: 100 V AC
 Current Rating: 0.25A (Signal pins 2,3,5,6,7,8,9) 1.8A (Power Pins 1,4)
 Contact Resistance: 30m Ω Max.
 Insulation resistance: 1000M Ω Min.
 Dielectric withstanding voltage: 100V AC/Minute
 Mechanical
 Durability: 1500 cycles
 Mating Force: 35N (3.57Kgf) Max
 Unmating Force: 10N (1.02Kgf) Min. initial, 8N min after test
 Environmental and Processing
 Operating Temperature: -55°C to +85°C

Pin Number	Signal Name	Pin Number	Signal Name
1	VBUS	5	SSRX-
2	D-	6	SSRX+
3	D+	7	GND
4	GND	8	SSTX-
Shell	Shield	9	SSRT+

NO 번호	DATE 변경일자	DESCRIPTION OF REVISION 변경내용	DESIGNED 작성	CHECKED 검토	APPROVED 승인	MATERIAL 재질		SPECIFICATION 규격		FINISH 표면처리	QUANTITY 수량	SCALE 척도 UNIT 단위 / mm
						DESIGNED 작성	CHECKED 검토	APPROVAL 승인	DRAWING NUMBER 도번			
			김도현	박재규	최국호	PART NAME 부품명	HY-4BLCC14-X					
						MODEL NAME 제품명	HY-4BLCC14-X					
DESIGNED 작성						상현전자 주식회사	3RD ANGLE PROJ	HANYONES TECH CO.,LTD			FILE. NO.	

